

Yacht Masters Northwest
 Garmin Electronics Pilothouse
 San Juan 48
 Revised: February 24, 2015

GPS19X GPS Receiver



NMEA 2000 Data Bus

GMR424xHD2 Radar



Network To GMS10

Flybridge Fuse Block 24 VDC

GPSMAP 8215



Network To GMS 10

+24 VDC

NMEA 2000 Data Bus

Network

GHC 20 Autopilot Control



NMEA 2000

Yellow Wire

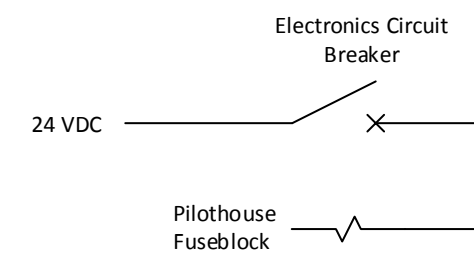
GPSMAP 8215



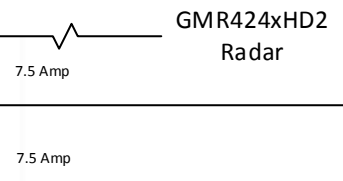
Network

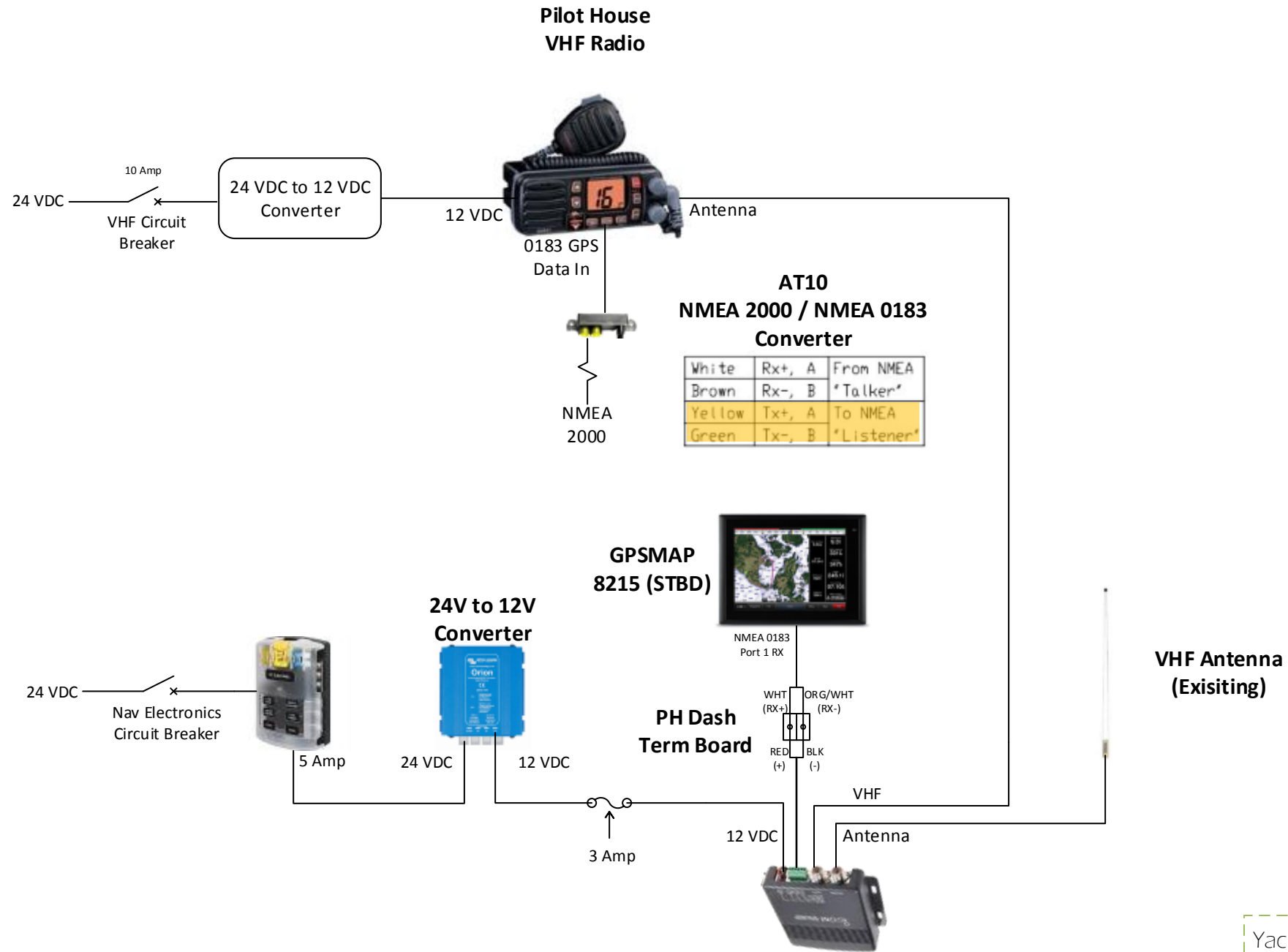
NMEA 2000 Data Bus

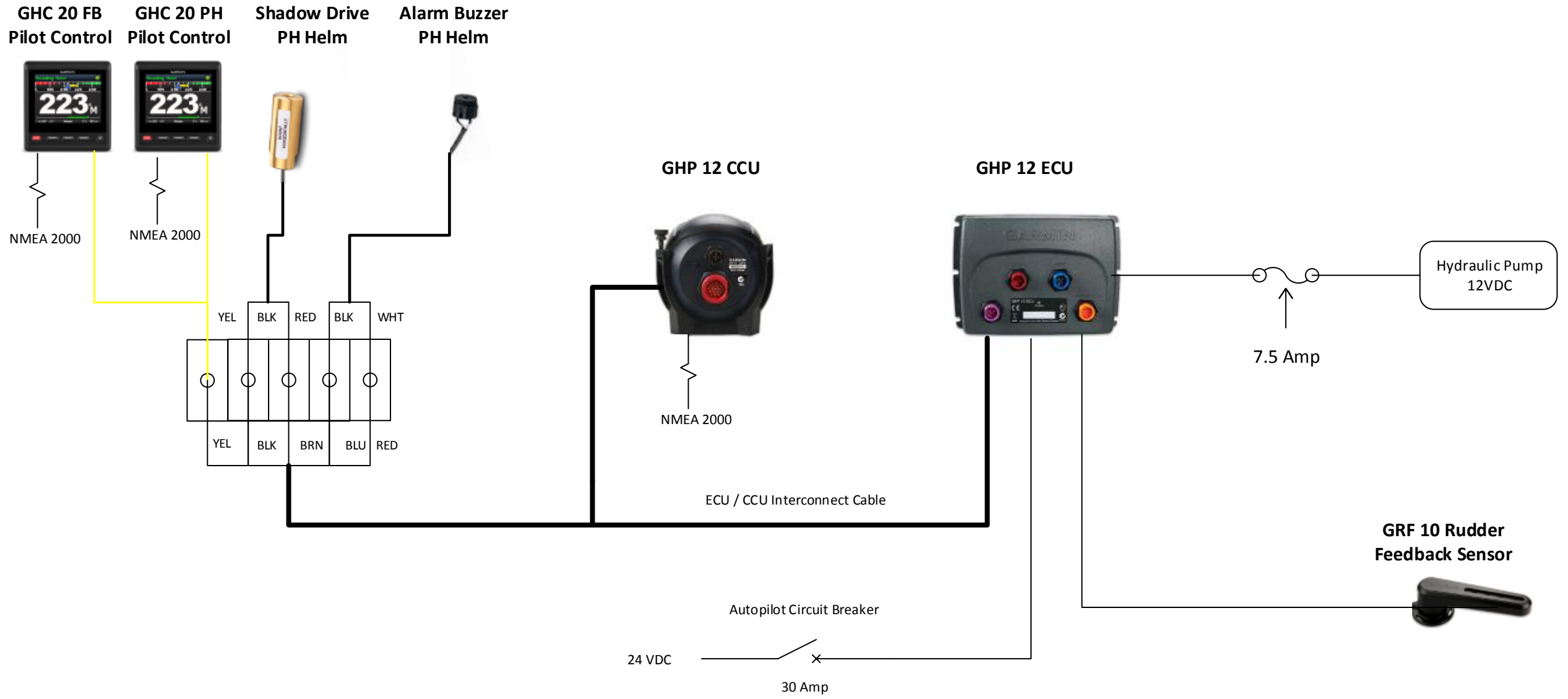
+24 VDC



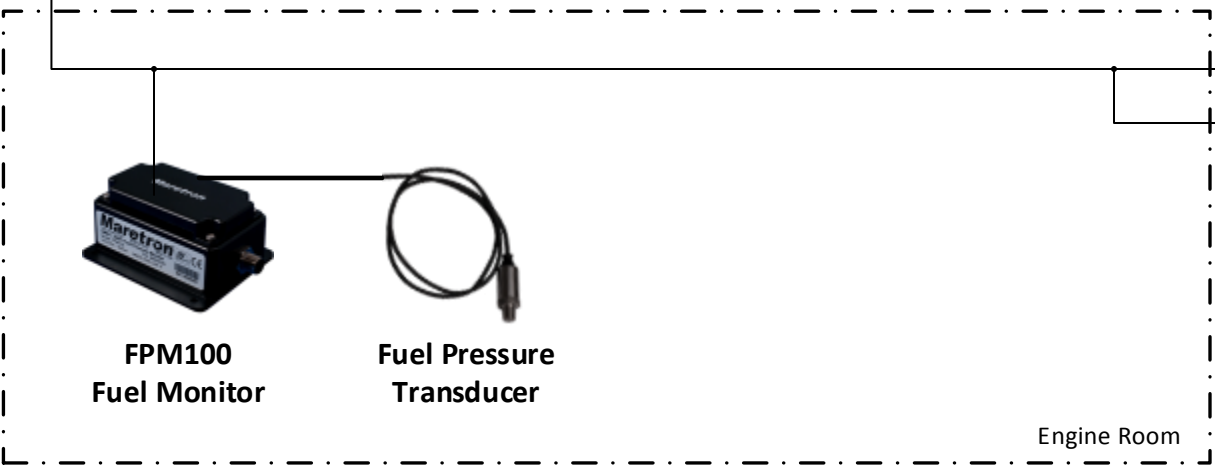
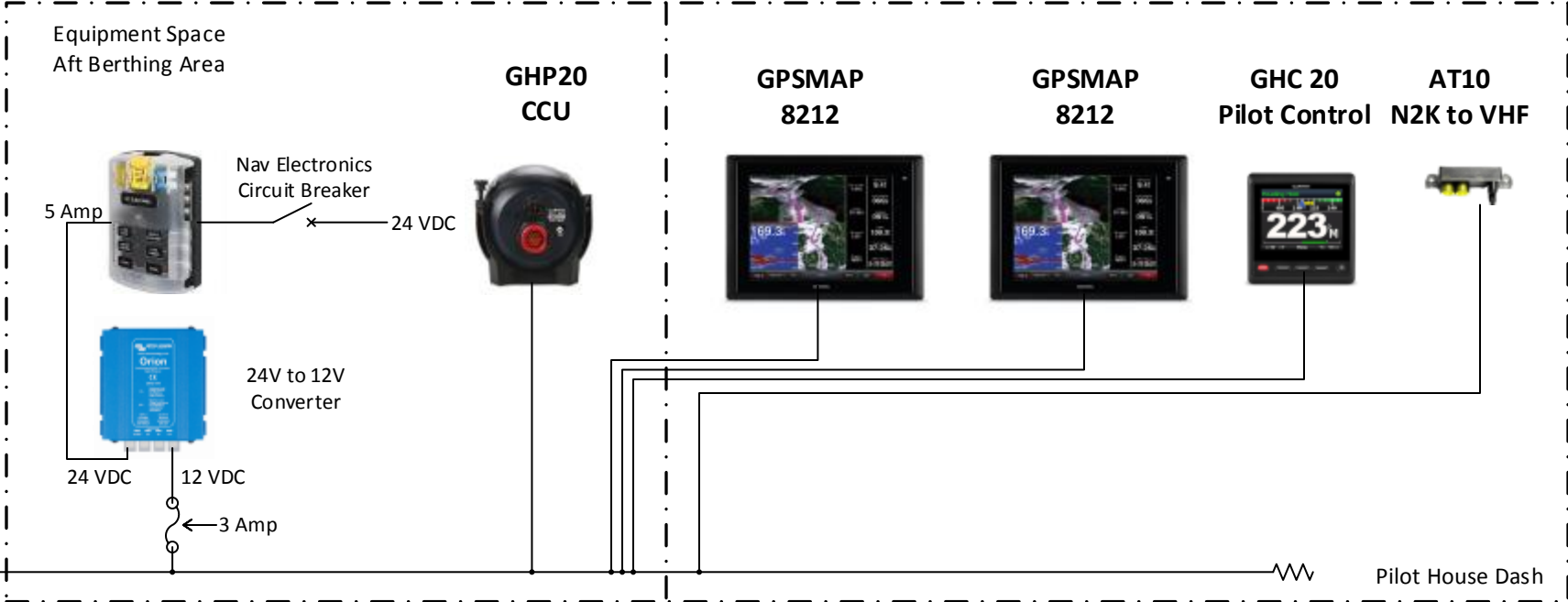
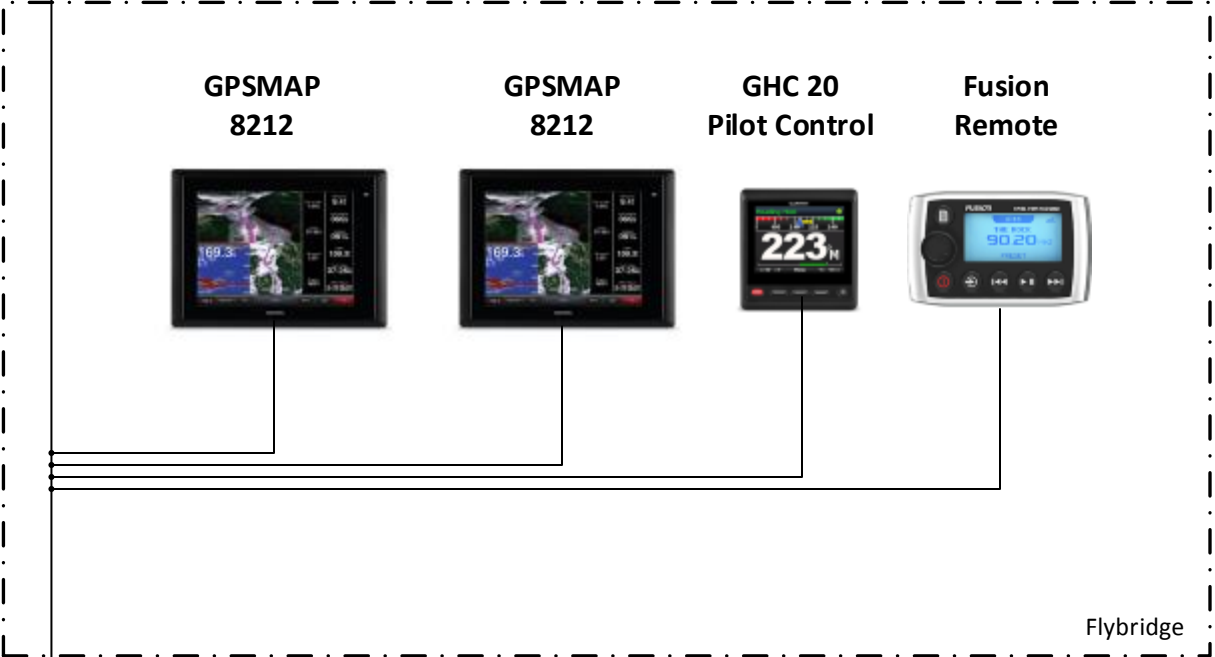
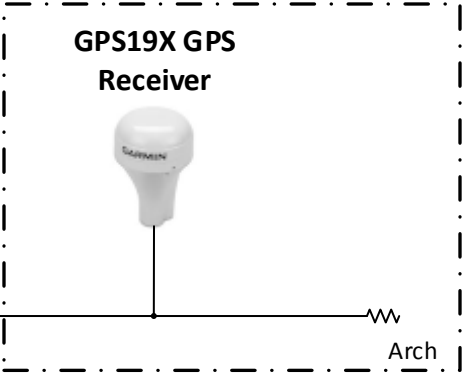
Fuse Block (Flybridge)







Yacht Masters Northwest
 Garmin Autopilot
 San Juan 48
 Revised: February 24, 2015



Yacht Masters Northwest
 NMEA 2000 Bus
 San Juan 48
 Revised: February 24, 2015